

6. General Specifications:

SENSOR SET: Implementation 02

CURRENCY AND INTERFACES See Software Description document

ELECTRICAL SPECIFICATION:

Operating Voltage	Maximum Operating Current	Maximum Current
24V AC/34V DC	0.36 A	2.0 A

Use only current limiting CSA or UL recognized CLASS 2 Power Supply.

OPERATING TEMPERATURE: -18 to +60 degrees Celsius

TOTAL WEIGHT: 1.75 kg

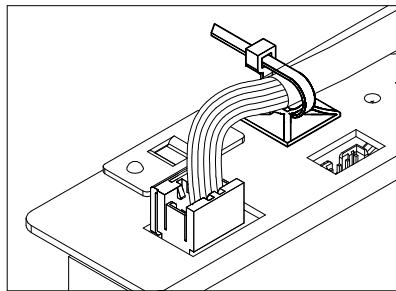
FEATURES: Standard Plastic Bezel, Handled Bill width 62...78 mm

ENCLOSURE: Bill Acceptor with a Stacker
User's Guide
Software description
Accessories:
Front Label
MDB Harness, Part # OPT-HS-MDB
Holder with Flat Tie, Part #OPT-MKST-HFT

OPTIONAL ACCESSORIES:

MDB test adapter; Part # OPT-AD-MDB
Single Price Interface Adapter, Part # OPT-AD-SP
Executive Interface Adapter, Part # OPT-AD-HII

To eliminate occasional disconnection of the cable use self-sticking Holder and cable Flat Tie as shown on the picture.



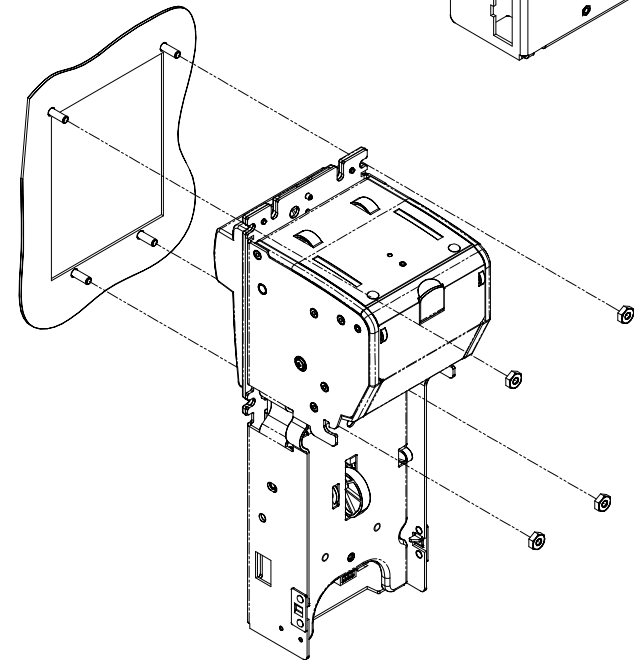
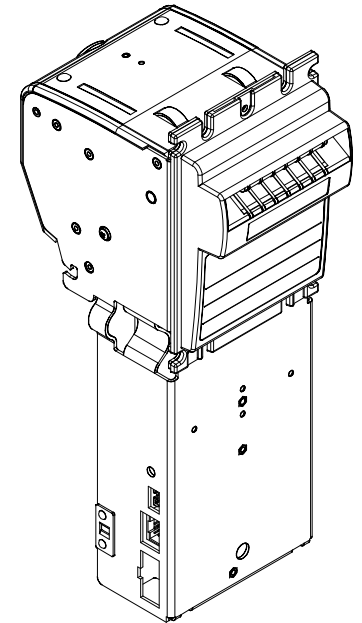
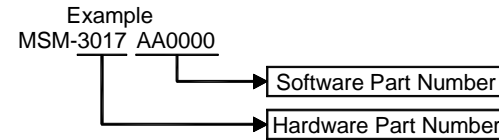
CashCode A Crane Co. Company
553 Basaltic Rd. Concord, Ontario Canada. L4K 4W8
TEL: (905) 303-8874 (800)-584-2633
FAX: (905) 303-8875 (800)-593-2633



Bill Validator with Stacker

Hardware part # **MSM-3017**

The Part Number on the Label includes Hardware Part Number and Software Part Number.

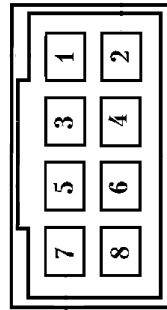


1. DIP Switches Setting

See Software Description document.

2. MDB connector pinout

Pin	Circuitry	Wire colour
1	AC / DC(-)	Brown
2	AC / DC(+)	White
3	GND	-
4	Reserved (OUT)	-
5	Master Receive	Black
6	Reserved (IN)	-
7	Common	Green
8	Master transmit	Red



Mating connector:

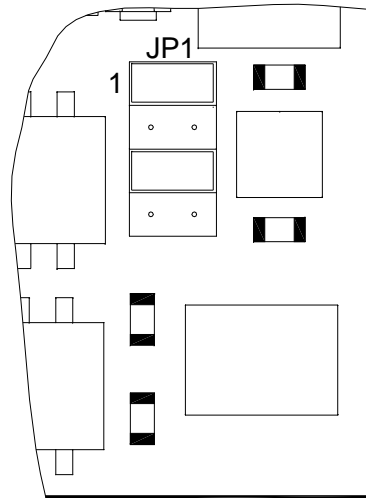
MOLEX: Dual Row Interim Clip #15-04-5084 - 1 pcs.
 Single Row Crimp Housing #50-57-9304 - 2 pcs.
 Fem. Box, Crimp Terminals #16-02-0086 - 7 pcs.

3. Jumper Settings

for MDB Mode (Default)



Connection to OPT-AD-MDB,
OPT-AD-SP, OPT-AD-HII



4. Diagnostics

Count the number of flashes and compare with the diagnostic chart below:

## of flashes	Malfunction
1 red on black	Cassette is removed from bill acceptor
3 red on black	Cassette is full
4 red on black	Failure of stacker mechanism
5 red on black	Failure of capacitance sensors
6 red on black	Failure of optical sensors
7 red on black	Failure of magnetic sensors
8 red on black	Transporting motor failure (timeout)
10 red on black	Failure of aligning mechanism
11 red on black	Bill pathway is not empty (bill is jammed)
12 red on black	Fail rejecting a bill. Bill is in the entry slot of the cassette.
1 green on red	COM port CRC Error
2 green on red	Internal CRC Error
3 green on red	Improper CCMS format
4 green on red	CCMS is absent
5 green on red	Improper type of CCMS
6 green on red	Download Error

5. Dimensions

